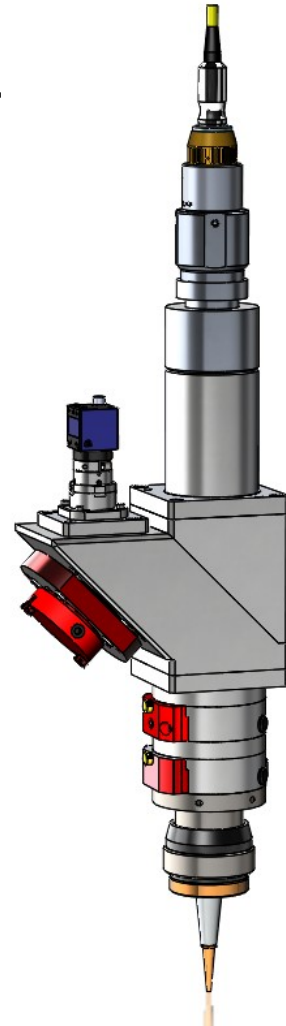


ALE 990073-1

Production Proven 24/7
Fiber Laser
Precision Drilling Head

Key Features

- Fiber laser: up to 4 kW with $NA \leq 0.15$
- Fiber receiver for all major laser OEMs
- Precision laser drilling
- 2" OD optics
- Coaxial camera viewing
- Adjustable gas manifold
- Adjustable centering on the lens holder
- High quality optics protected with a cover glass
- Modular design with cartridge lens and cover glass



Typical Applications

Automotive	Aerospace	Electronics
Medical Device	Manufacturing	and many more...

American Laser Enterprises, LLC has decades of combined experience in optical, electrical, and mechanical design of laser applications and systems. We pride ourselves on the ability to provide our clients with specialized services from application engineering and system prototyping to large quantity component production orders.

We offer a family of laser cutting heads designed to work with CO₂, Nd:YAG, and Fiber lasers. It has served a variety of industries, including automotive, aerospace, and defense. Our cutting heads come in various configurations, are versatile and fully customizable to your application.



www.a-l-e.net

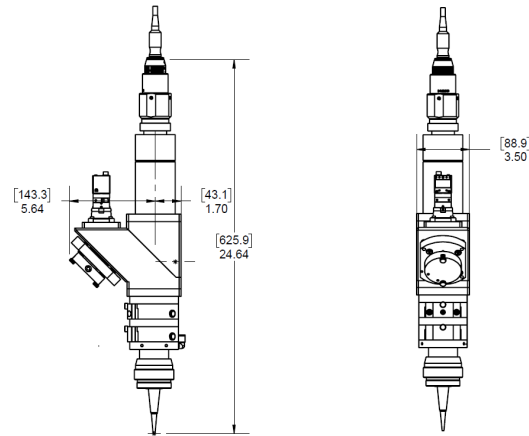
7974 Lochlin Dr., Ste B1
Brighton, MI 48116
Phone: 248-449-3714
Fax: 248-617-3986
info@a-l-e.net
find us on:



Specifications

↳ Dimensions * (WxDxH)	24.64 x 3.5 x 7.33 (in) 626 x 90 x 186 (mm)
↳ Weight	~ 16 lb (7 kg)
↳ Laser Power	up to 4kW
↳ Laser Wavelength	650 - 1100 nm
↳ Focal Distance	200 mm
↳ Clear Aperture	~ 45 mm
↳ Nozzle size	0.8 to 2 mm

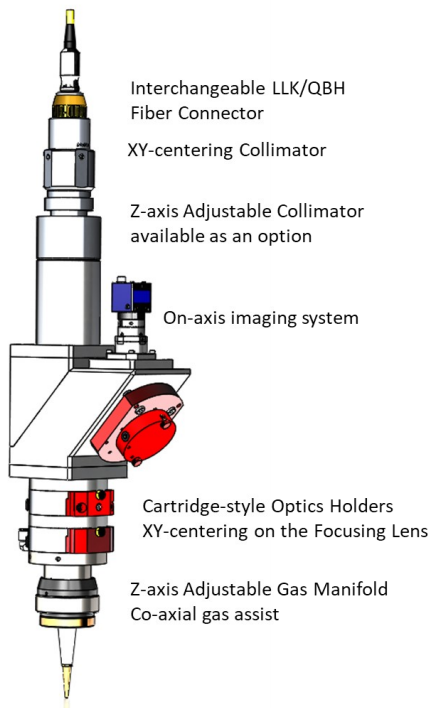
* outside dimensions depend on a configuration and are subject to change



CAD model is available for download

ALE 990073-1, a robust fiber laser drilling head was developed for high performance precision drilling of a wide range of materials. Like all ALE laser processing heads, it is compatible with most OEM lasers. Maintenance free, it has only a single consumable item: protective cover glass with a convenient cartridge-style holder. Due to a modular design, this cutting head is highly customizable and can be trimmed to your needs! Requiring minimal maintenance and operator input, it offers precision, consistency, high repeatability and productivity at a competitive price.

Standard Features



XY-centering of the focusing lens

1:1 2" OD optical system

Multiple Tips available

Modular Components

Connectors and Collimators Available

Configuration shown is standard but can be customized per customer's request. Please contact us for details.

